

PYROBEL 21

**FIRE RATING:
60 MINUTES INTEGRITY / 60 MINUTES INSULATION**

DESCRIPTION

Pyrobel is a multi-laminated glass assembled with clear intumescent interlayers.

In the event of fire, these interlayers expand at around 120 °C and transform into a rigid and opaque fire shield, which enables the glazing to meet the integrity and insulation criteria, according to BS 476 : Part 22 : 1987.

TECHNICAL DATA

SPECIFICATION & IDENTIFICATION	PYROBEL 21 E160 GLAVERBEL	PYROBEL 21 EG E160 GLAVERBEL	PYROBEL 21 or 21 EG E160 GLAVERBEL
Glazing Type	Single	Single	Double Glazed
Grade	Internal	External	External
Thickness	21 mm	25 mm	6/12/25 = 43 mm 6.8/12/21 = 40 mm
Thickness Tolerance	2 mm	2 mm	3 mm
Weight	47 kg/m ²	55 kg/m ²	70 kg/m ²
Dimension Tolerance	2 mm	2 mm	3 mm
Light Transmission	83 %	82 %	73 %
U Value	5.2 W/m ² K	5.0 W/m ² K	2.7 W/m ² K
Safety Rating (BS 6206)	Class B	Class A	Class A (*)
Sound Reduction (ISO 717 Rw Index)	41 dB	42 dB	44 dB
(*) on Pyrobel 21 EG or 6.8 laminated glass side			

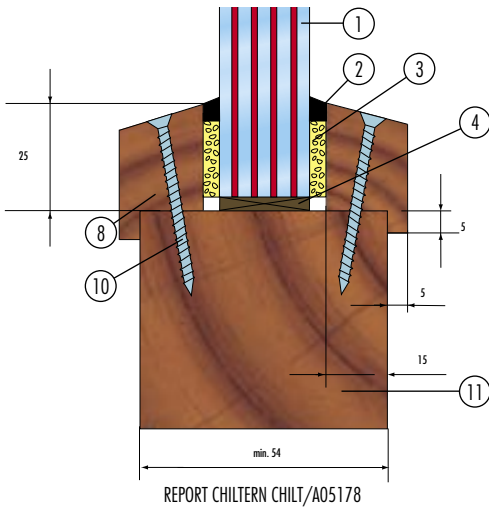
APPLICATIONS AND CERTIFICATION ACCORDING TO BS 476:PART 22:1987

APPLICATIONS	MAXIMUM DIMENSIONS (*) (Width x Height)	GLASS TYPE	CERTIFICATION
Timber Doorsets (Certifire & Q-Mark approved)	710 x 1830 mm	Pyrobel 21	Certifire CF377 Chiltern Chilt/A05178
Timber Screens	1010 x 2445 mm	Pyrobel 21	Certifire CF377
	1200 x 2300 mm	Pyrobel 21	BRE CC88025
	1200 x 2000 mm	Pyrobel 21 EG	BRE CC84562A
	1200 x 2000 mm	Pyrobel 21 Double-Glazed	BRE CC84562B
Steel Screens	1220 x 2300 mm	Pyrobel 21	Certifire CF377
Steel Screens - Forster Fuego	1220 x 2300 mm	Pyrobel 21	Warrington WFRC C82182
Steel Screens - Jansen Janisol 3	1350 x 2200 mm 1723 x 1723 mm	Pyrobel 21	Warrington WFRC C82152
(*) For alternative dimensions within pane area please consult Glaverbel			

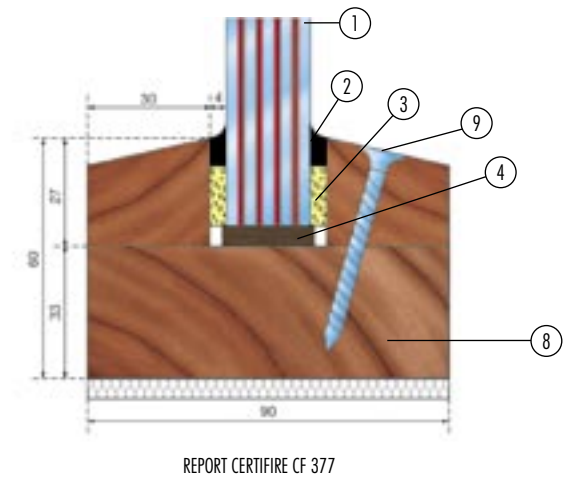
PYROBEL 21

(dimensions in mm)

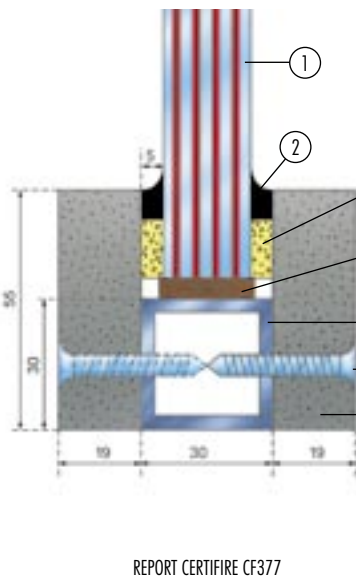
Timber Doorset



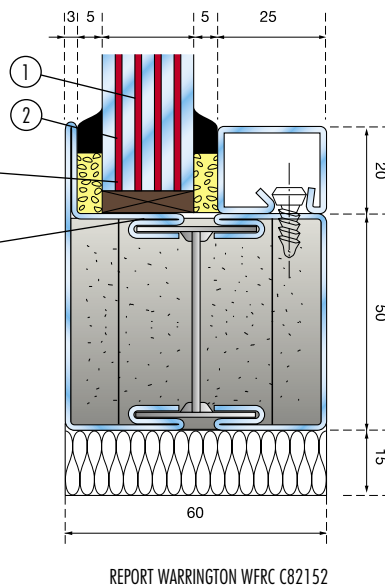
Timber Screen



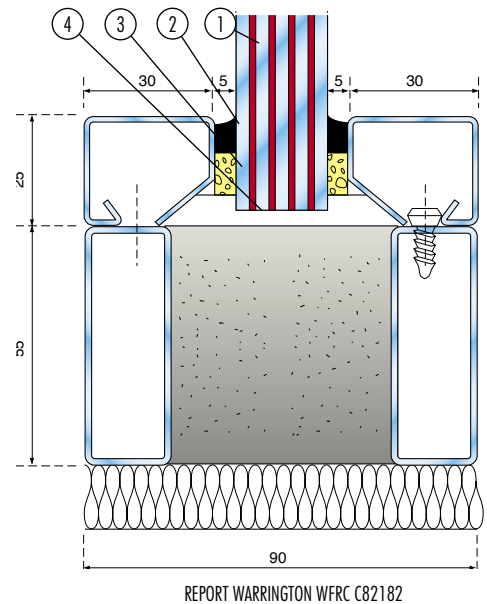
Steel Screen



Steel Screen Jansen Janisol 3



Steel Screen Forster Fuego



- 1 Pyrobel 21
- 2 Neutral silicone
- 3 Foam tape with closed cells
- 4 Setting block

- 5 Steel tube 30 x 30 x 3 mm
- 6 Calcium silicate
- 7 Steel screws 35 x 5 mm at 250 mm centres
- 8 Hardwood

- 9 Steel screws 35 x 4 mm at 315 mm centres
- 10 Steel screws 60 x 4 mm
- 11 Wood or other approved constructions

Diagrams for illustration purposes only. For full glazing details please refer to the relevant test report.



GLASS UNLIMITED

www.myglaverbel.com

Overseas markets : Glaverbel Seneffe - Tel. : + 32(0)64.51.05.19 - Fax : + 32(0)64.55.80.80 - pyrobel@glaverbel.com

For United Kingdom & Ireland : Glaverbel UK - Tel. : +44(0)1788 535353 - Fax : +44(0)1788 560853 - gvb.uk@glaverbel.com